

Schrader

pressure to perfection

ARG 004 GB-1

TUBELESS VALVES FOR PASSENGER-CARS

Schrader Valve = Quality & Security

SCHRADER : Supplier of OE car and tyre manufacturers since 1898.

Partner of:

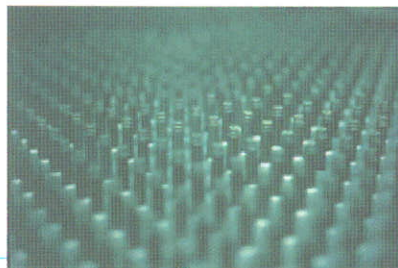
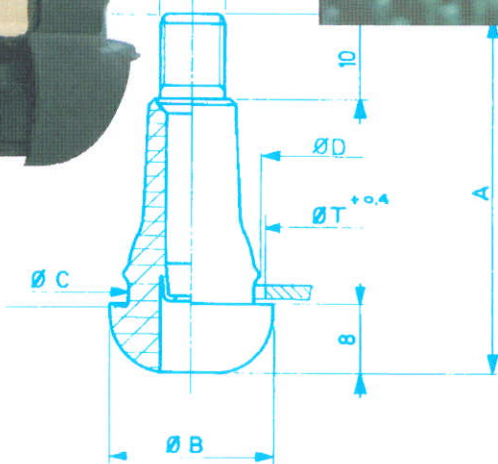
RENAULT, PSA, TOYOTA, VOLVO, VW, FORD, SEAT, MERCEDES-DAIMLER, FIAT, OPEL, G.M.
MICHELIN, GOODYEAR, DUNLOP, BRIDGESTONE-FIRESTONE....

50 YEARS OF EXPERIENCE

The tubeless tyre appeared in the U.S. in 1955 and required the creation of a special valve.
This valve was designed by SCHRADER USA.



x Q794



Schrader s.a.s.
48 rue de Salins - BP 29
F 25301 Pontarlier cedex
France
602 820 896 RCS BESANCON
SAS au capital de 4.712.183 Euros



Customer and Orders Dpt.:
☎ +33 (0) 381 38 56 60 / 79 / 24
Export Dpt ☎ +33 (0) 381 38 56 50
Fax +33 (0) 381 38 56 81
E-Mail : resale.info@schrader.fr
☎ standard +33 (0) 381 38 56 56
Fax standard +33 (0) 381 46 41 42